

# Room Light

LIGHTING SYSTEM

## 33.Room Light

### A: REMOVAL

1) Disconnect the ground cable from battery. <Ref. to NT-5, BATTERY, NOTE, Note.>

NOTE:

For models other than STI model, disconnect the ground terminal from battery sensor.

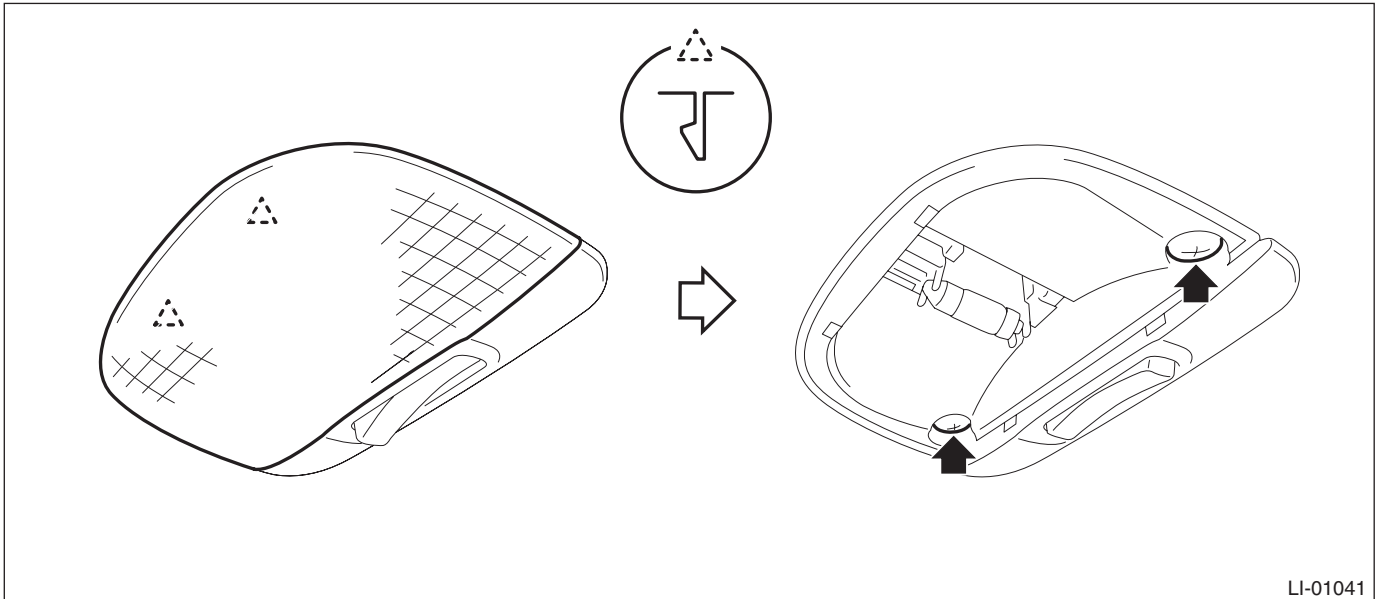
2) Remove the light assembly - room.

**CAUTION:**

**When using a flat tip screwdriver, apply protective tape or cloth and be careful not to cause damage.**

(1) Release the claws and remove the lens.

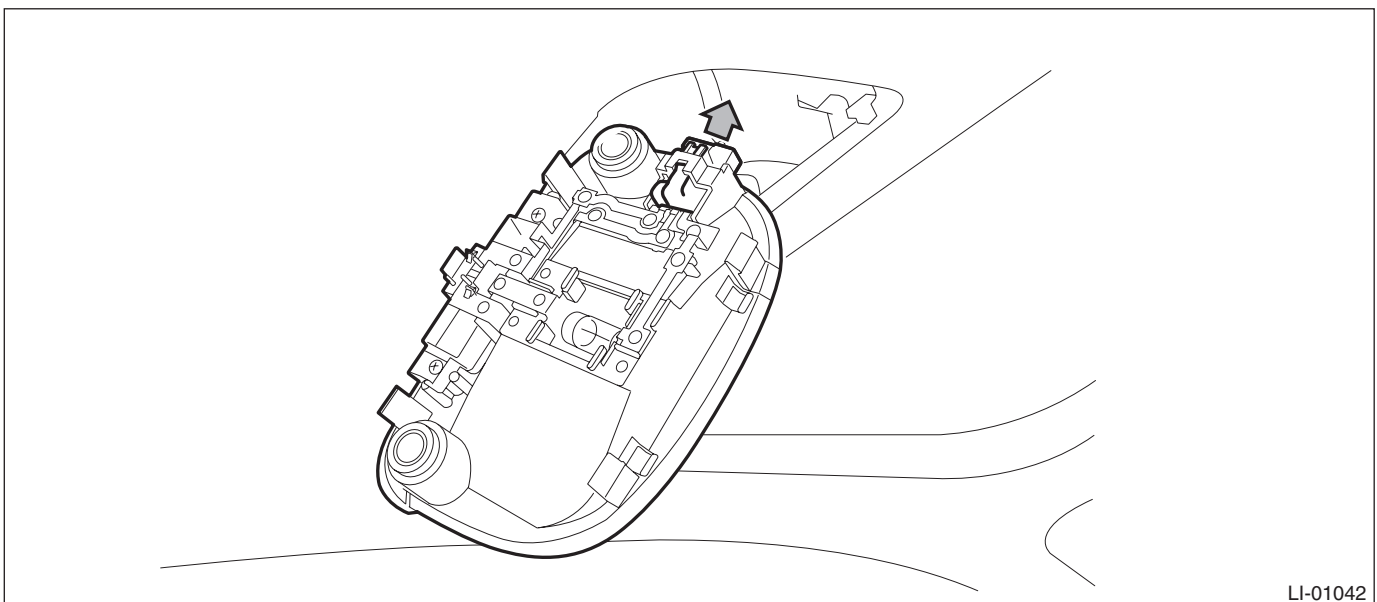
(2) Remove the screws.



(3) Disconnect the connector and remove the light assembly - room and the room light bulb.

**CAUTION:**

**Use a dry clean cloth so that no grease or water adheres to the glass portion of the bulb.**



## B: INSTALLATION

1) Install the room light bulb and light assembly - room.

### CAUTION:

**Use a dry clean cloth so that no grease or water adheres to the glass portion of the bulb.**

2) Connect the battery ground terminal. <Ref. to NT-5, BATTERY, NOTE, Note.>

### NOTE:

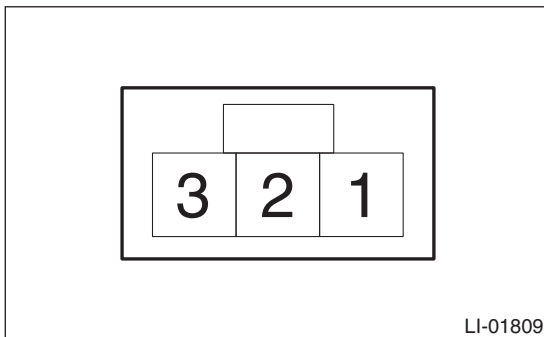
For models other than STI model, connect the ground terminal to battery sensor.

## C: INSPECTION

1) Measure the resistance between connector terminals.

### Preparation tool:

**Circuit tester**



Terminal No.	Inspection conditions	Standard
1 — 3	Switch OFF	1 MΩ or more
	Switch ON	Less than 1 Ω
2 — 3	Switch door	Less than 1 Ω

2) Apply battery voltage between the connector terminals to check the lighting condition of the light.

Terminal No.	Inspection conditions	Specification
3 (+) — 1 (-) 3 (+) — 2 (-)	Switch OFF	Light OFF
	Switch ON	Light ON
	Switch door	Light ON

3) Replace the light assembly - room if the inspection result is not within the standard value.